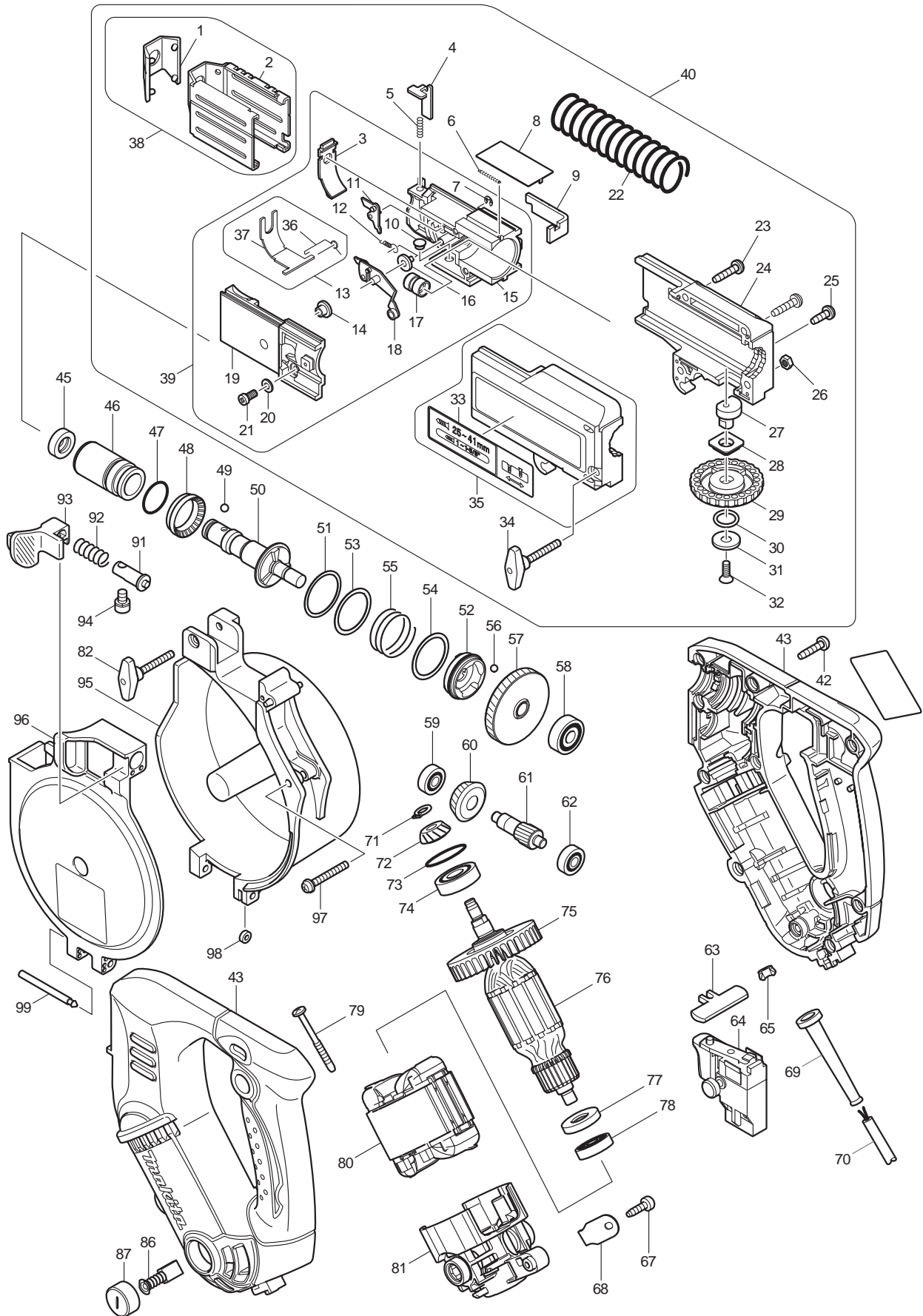




11 - 2009  
6845, 6845L  
AUTOFEED SCREWDRIVER



Item No.	Type	Sub	Part No.	Description (* see Service changes on the bottom)	Qty	Unit
1			421617-0	CAP	1	PC.
2			344628-7	STOPPER BASE	1	PC.
3			450515-1	DUST COVER	1	PC.
4			344625-3	LEVER	1	PC.
5			233211-4	COMPRESSION SPRING 2	1	PC.
6			231853-8	TENSION SPRING 2	1	PC.
7			257926-9	STOP RING E-2.0	1	PC.
8			345904-2	SLIDE PLATE	1	PC.
9			345903-4	STOPPER	1	PC.
10			412089-0	SHOULDER PIN 6	1	PC.
11			158640-9	CROW B COMPLETE	1	PC.
12			231852-0	TENSION SPRING 3B	1	PC.
13			158648-3	RELEASE LEVER COMPLETE	1	PC.
		INC.		Item No. 36,37		
14			257767-3	COLLARED SLEEVE 4	1	PC.
15	1		450513-5	FEEDER BOX	1	PC.
	2		TK0TSM1031	FEEDER BOX TS-M103-1	1	PC.
16			268206-8	COLLAR HD. PIN 3A	1	PC.
17			257685-5	SLEEVE 5	1	PC.
18			158641-7	LEVER COMPLETE	1	PC.
19	1		450514-3	BOX COVER	1	PC.
	2		TK00TSM104	BOX COVER COMPLETE TS-M104	1	PC.
20			941052-1	FLAT WASHER 4	1	PC.
21			265871-4	TAPPING SCREW BT 4X16	1	PC.
22			233209-1	COMPRESSION SPRING 21	1	PC.
23			266045-0	TAPPING SCREW 4X20	2	PC.
24	1		450511-9	CASING R	1	PC.
	2		TK00TSM101	CASING R	1	PC.
25			266020-6	TAPPING SCREW 4X12	1	PC.
26			931102-0	HEX. NUT M4	1	PC.
27			310091-6	SHIFTER PIN	1	PC.
28			257686-3	SLEEVE 8	1	PC.
29			417056-0	DIAL 42	1	PC.
30	1		213105-9	* O RING 11	1	PC.
	2		213107-5	* O RING 12	1	PC.
31			267201-5	FLAT WASHER 6	1	PC.
32			912117-6	COUNTERSUNK HEAD SCREW M4X12	1	PC.
33	1		816909-4	INDICATION LABEL	1	PC.
	2		TK00TSM147	LABEL TS-M147	1	PC.
34			265779-2	THUMB SCREW M4X28	1	PC.
35	1		158639-4	CASING L COMPLETE	1	PC.
	1	INC.		Item No. 33		
	2		TK00TSM061	CASING L W/LABEL	1	PC.
	2	INC.		Item No. 33		
36			233526-9	TORSION SPRING 3	1	PC.
37			345899-9	RELEASE LEVER	1	PC.
38			152676-0	STOPPER BASE COMPLETE	1	PC.
		INC.		Item No. 12		
39			TK0TSM0501	FEEDER BOX ASS'Y TS-M050-1	1	PC.
		INC.		Item No. 37,10-21		
40	1		125384-6	* CASING ASS'Y	1	PC.
	1	INC.		* Item No. 1-12,14-32,34-37		
	2		125537-7	* CASING ASS'Y	1	PC.
	2	INC.		* Item No. 1-12,14-32,34-37		
42			266045-0	TAPPING SCREW 4X20	10	PC.

Item No.	Type	Sub	Part No.	Description (* see Service changes on the bottom)	Qty	Unit
43			188305-9	HOUSING SET	1	SET
45			421467-3	DUST COVER	1	PC.
46			214172-7	PLANE BEARING 14	1	PC.
47			213262-3	O RING 18	1	PC.
48			421927-5	SLEEVE 20	1	PC.
49			216001-0	STEEL BALL 3.5	1	PC.
50			324807-3	SPINDLE A	1	PC.
51			267332-0	FLAT WASHER 26	1	PC.
52			223169-5	CLUTCH CAM C	1	PC.
53			267331-2	FLAT WASHER 25	1	PC.
54			267331-2	FLAT WASHER 25	1	PC.
55			234017-3	COMPRESSEION SPRING 25	1	PC.
56			216008-6	STEEL BALL 4	3	PC.
57			226658-9	HELICAL GEAR 57	1	PC.
58	1		210029-0	BALL BEARING 608ZZ	1	PC.
	2		211034-0	BALL BEARING 608	1	PC.
59	1		210028-2	BALL BEARING 606ZZ	1	PC.
	2		211014-6	BALL BEARING 606	1	PC.
60			227528-5	SPIRAL BEVEL GEAR 22	1	PC.
61			226668-6	HELICAL GEAR 13	1	PC.
62	1		210028-2	BALL BEARING 606ZZ	1	PC.
	2		211014-6	BALL BEARING 606	1	PC.
63			419304-3	F/R CHANGE LEVER	1	PC.
64			650590-9	SWITCH SGEL206CR-1	1	PC.
65			252045-6	SQUARE NUT M5	1	PC.
67			266192-7	TAPPING SCREW 4X14	1	PC.
68			687169-3	STRAIN RELIEF	1	PC.
69			682559-5	CORD GUARD 8	1	PC.
70			664064-4	CORD W/PLUG 2P-18-2.5M, SJ	1	PC.
71			961002-0	RETAINING RING S-6	1	PC.
72			227527-7	SPIRAL BEVEL GEAR 15	1	PC.
73			213380-7	O RING 24	1	PC.
74			211061-7	BALL BEARING 6000LLB	1	PC.
75			241869-5	FAN 55	1	PC.
76			515711-9	ARMATURE ASS'Y 115V	1	PC.
		INC.		Item No. 74,75,77,78		
77			681652-2	INSULATION WASHER	1	PC.
78			211021-9	BALL BEARING 607LLB	1	PC.
79			266069-6	TAPPING SCREW 4X45	2	PC.
80			633651-0	FIELD 115V	1	PC.
81			158380-9	ENDBELL COMPLETE	1	PC.
82			265779-2	THUMB SCREW M4X28	1	PC.
86	1		191938-1	CARBON BRUSH CB-408 2PC/SET (W/O ORIGIN)	1	SET
	2		195008-8	CARBON BRUSH CB-408 2PC/SET (W/ ORIGIN)	1	SET
87			643928-5	BRUSH HOLDER CAP	2	PC.
91			324417-6	LOCK PIN	1	PC.
92			233394-0	COMPRESSION SPRING 8	1	PC.
93			417584-5	LOCK LEVER	1	PC.
94			265480-9	HEX. SOCKET HEAD BOLT M5X8	1	PC.
95			450284-4	MAGAZINE	1	PC.
96			158583-5	MAGAZINE CAP COMPLETE	1	PC.
		INC.	802108-4	INDICATION LABEL	1	PC.
97			911158-9	PAN HEAD SCREW M4X30	1	PC.
98			262054-7	URETHANE RING 3	1	PC.
99			268110-1	PIN 4	1	PC.

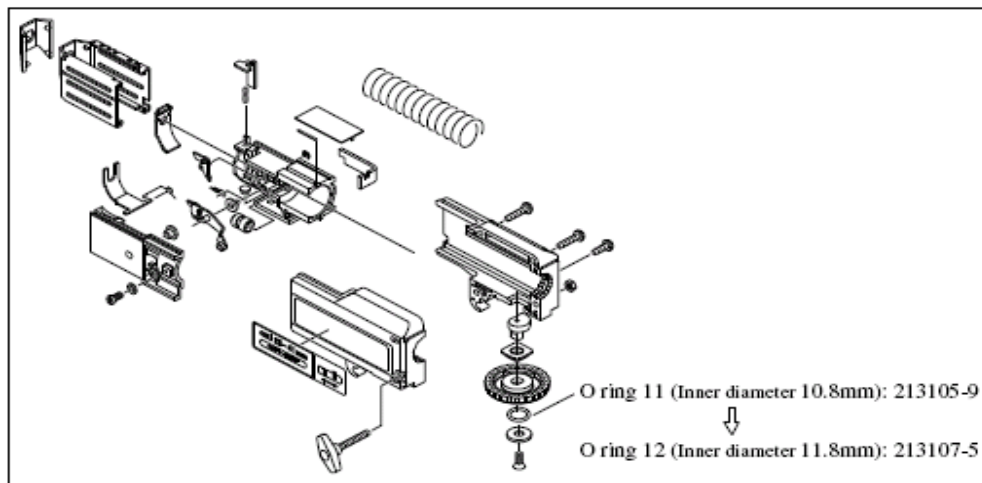
Item No.	Type	Sub	Part No.	Description (* see Service changes on the bottom)	Qty	Unit
			<b>ACCESSORIES</b>			
			- See catalogue or visit <a href="http://www.makita.ca">www.makita.ca</a> for optional accessory -			
A01			265734-4	SCREW M5X13	1	PC.
A02			345831-3	HOOK	1	PC.
A03			784241-3	+ BIT 2-122	3	PC.
A04			824813-3	PLASTIC CARRYING CASE	1	PC.
A05			194500-1	EXTENSION HANDLE	1	PC.

**SERVICE CHANGES**

**1. Changes on Casing Ass'y**

Item No.	Description	Type 1	Type 2
40	Casing Assy	125384-6	125537-7
30	O Ring (component of item 40)	213105-9	213107-5

Above parts are completely interchangeable as a set.



Casing Ass'y: 125384-6 ⇒ 125537-7